



PeerlessBoilers.com

Peerless® PUREFIRE® PFC

PFC-850, PFC-1000 & PFC-1500

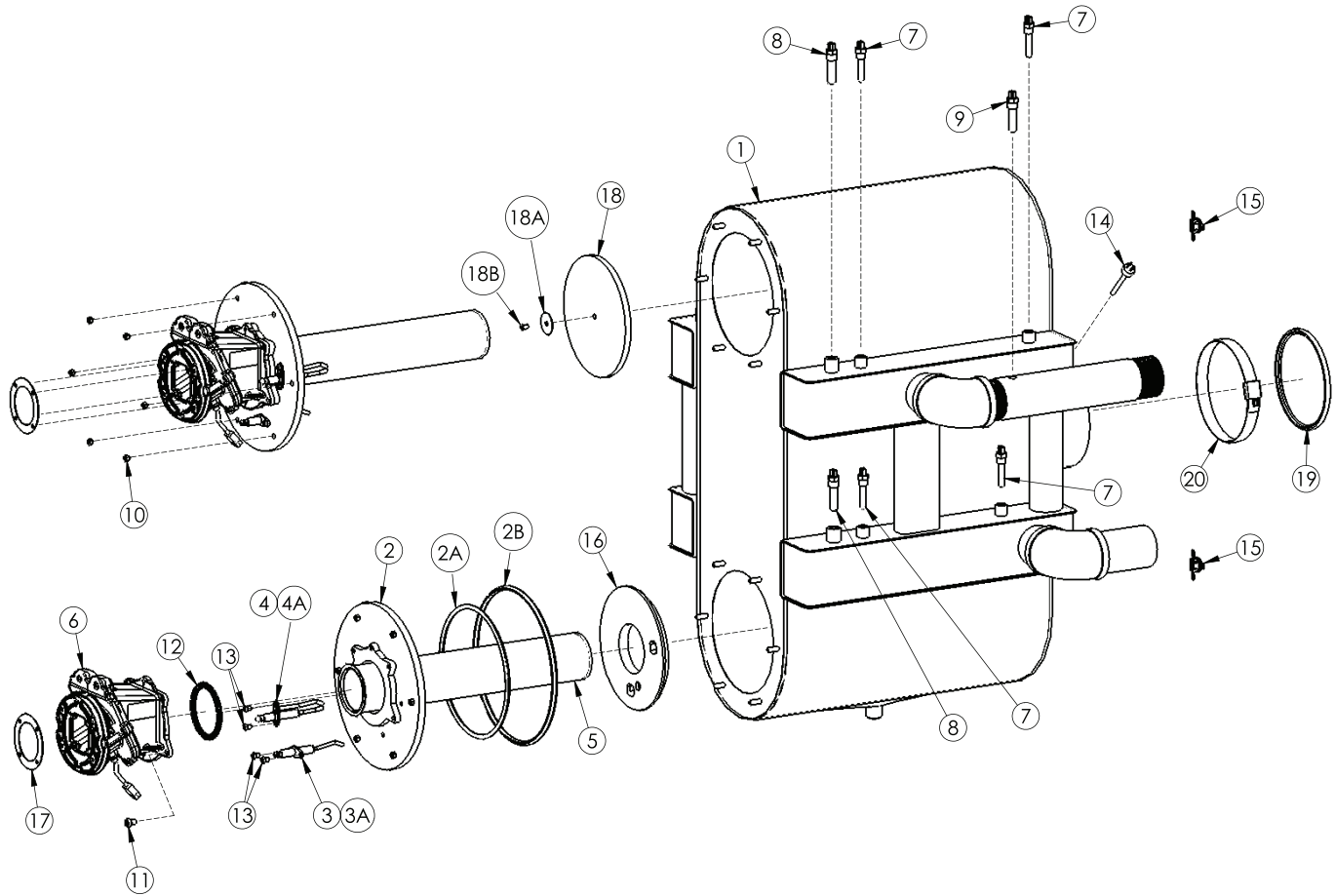
All repair parts orders - no minimum charges.

Please order with code number.

All prices quoted are in U.S. dollars.

All prices subject to change without notice.

All prices F.O.B. Bally, PA





PeerlessBoilers.com

Peerless® PUREFIRE® PFC

PFC-850, PFC-1000 & PFC-1500

All repair parts orders - no minimum charges.

Please order with code number.

All prices quoted are in U.S. dollars.

All prices subject to change without notice.

All prices F.O.B. Bally, PA

	Description	Quantity Required	Stock Code	Trade Price
1	Heat Exchanger – PF-850, for Price Reference Only	1	5651	\$20,636
	Heat Exchanger – PF-1 000, for Price Reference Only	1	5652	\$22,367
	Heat Exchanger – PF-1 500, for Price Reference Only	1	5703	\$32,101
2	Burner Mounting Plate , includes items 2A & 2B	2	54430	\$252
2A	Burner Mounting Plate Rubber Rope, included with item 2	2	54188	\$3
2B	Burner Mounting Plate Rubber Gasket, included with item 2	2	54655	\$19
3	Kit Replacement Gianonni Sensor	2	54699	\$90
4	Kit Replacement Gianonni Igniter	2	54698	\$90
5	Burner Element (Blue Jet) - PFC-850	2	54656	\$425
	Burner Element (Blue Jet) - PFC-100	2	54679	\$425
	Burner Element (Blue Jet) - PFC-1500	2	54657	\$740
6	Flapper Valve Assembly - PFC-850/1000	2	54434	\$1,303
	Flapper Valve Assembly - PFC-1500	2	54625	\$970
7	Supply / Return Sensor - 1/8" NPT 12 kΩ	4	54438	\$36
8	High Limit Switch – 1/4" NPT	2	54419	\$40
9	Header Supply Sensor – 1/4" NPT	1	54418	\$51
10	Hex. Flange Nut M6 Fine Thread, (Local Hdwr Supply)	12	51614	–
11	Screw M5-0.80 x 16 mm Zinc Plated, Flapper Valve Screw, (Local Hdwr Supply)	10	–	–
12	Burner Gasket	2	54467	\$36
13	Screw M4 x 8 mm Zinc Plated, Ignitor/Flame Sensor Screw, (Local Hdwr Supply)	4	6507	–
14	Flue Temperature Sensor - 1/4" BSP 12 kΩ	1	54111	\$48
15	Thermal Fuse - 318 C, 605 F	2	54466	\$43
16	Burner Mounting Plate Insulation - PF-850/1000	2	54653	\$31
	Burner Mounting Plate Insulation - PF-1500	2	54654	\$24
17	Blower Gasket - PFC-850/1000	2	54504	\$5
	Blower Gasket - PFC-1500	2	54505	\$15
18	Target Insulation	2	54185	\$48
18A	Target Insulation Washer M4 SS Fender, (Local Hdwr Supply)	2	–	–
18B	Target Insulation Screw M4 x 16 SS, (Local Hdwr Supply)	2	–	–
19	Exhaust Vent Gasket - 6" PF-850/1000	2	54658	\$30
	Exhaust Vent Gasket - 7" PF-1500	2	54659	\$27
20	Exhaust Vent Clamp - 6" PF-850/1000	2	54660	\$24
	Exhaust Vent Clamp - 7" PF-1500	2	54661	\$30
N/S	2" X 1", w/ 1/4" Tap, Relief Valve and Gauge, Brass Tee (PF-850 & 1000)	1	5744	CF
N/S	2 1/2" X 1 1/4", w/ 1/4" Tap, Relief Valve and Gauge, Brass Tee (PF-1500)	1	5854	CF



PeerlessBoilers.com

Peerless® PUREFIRE® PFC

PFC-850, PFC-1000 & PFC-1500

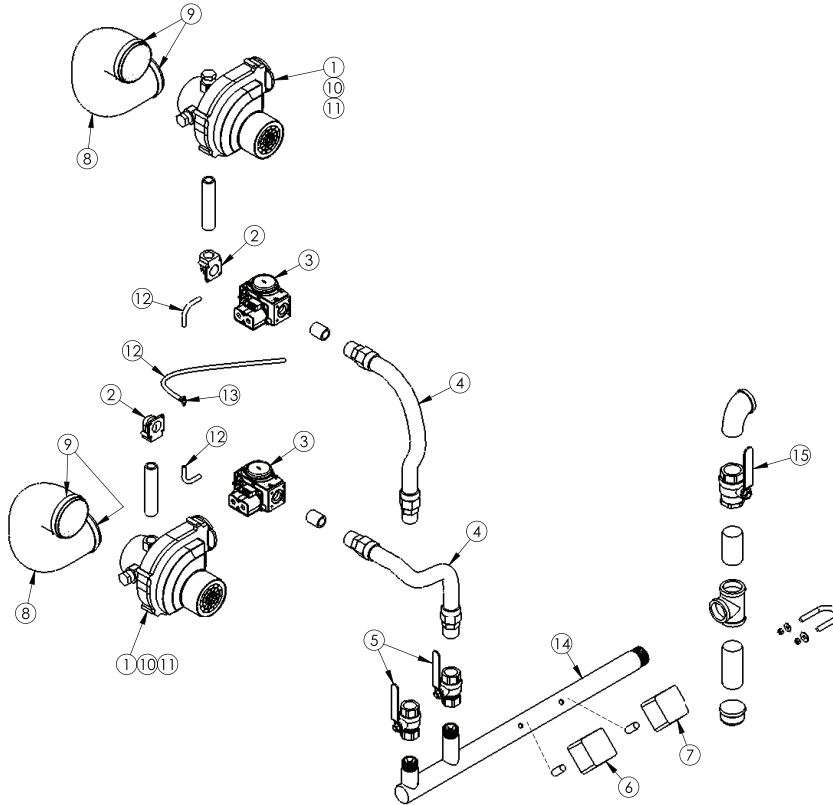
All repair parts orders - no minimum charges.

Please order with code number.

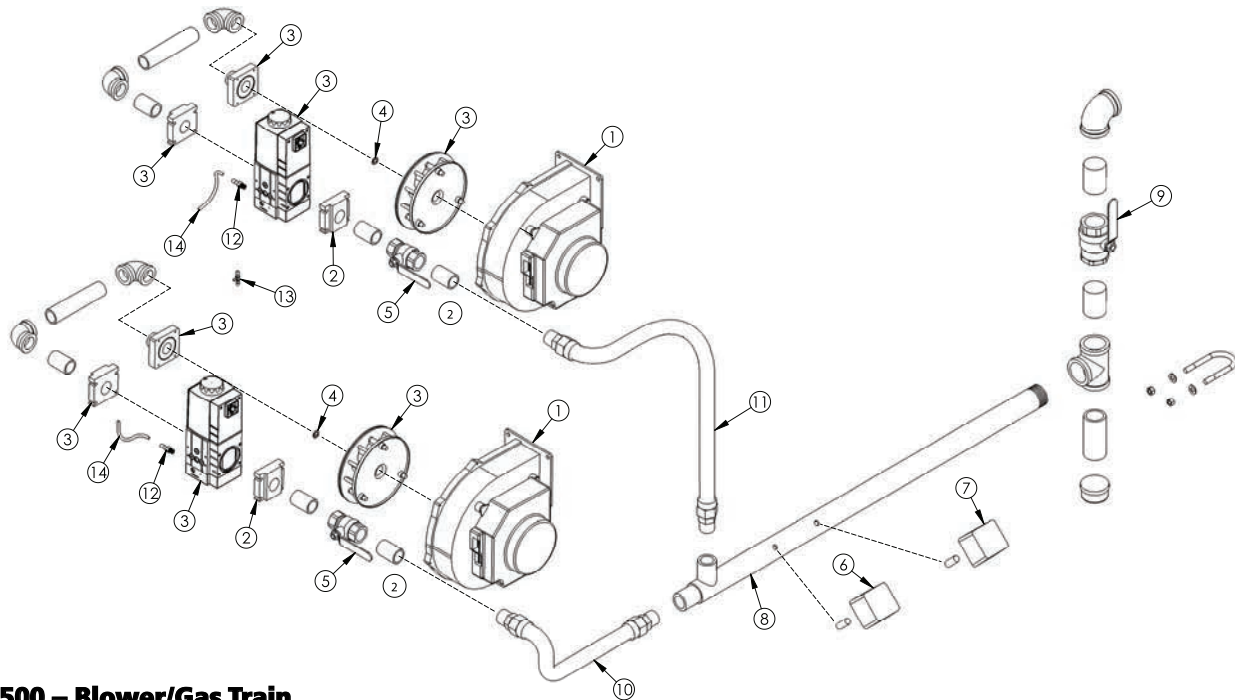
All prices quoted are in U.S. dollars.

All prices subject to change without notice.

All prices F.O.B. Bally, PA



PFC-850/1000 – Blower/Gas Train



PFC-1500 – Blower/Gas Train



PeerlessBoilers.com

Peerless® PUREFIRE® PFC

PFC-850, PFC-1000 & PFC-1500

All repair parts orders - no minimum charges.

Please order with code number.

All prices quoted are in U.S. dollars.

All prices subject to change without notice.

All prices F.O.B. Bally, PA

PFC-850, PFC-1000 – Blower/Gas Train

	Description	Quantity Required	Stock Code	Trade Price
1	Blower - PF-850/1000	2	54428	\$928
2	3/4" NPT Flanged Elbow	2	5543	\$50
3	Gas Valve GB-057	2	54429	\$551
4	1" NPT x 18" Flexible Gas Hose	2	54439	\$117
5	1" NPT Gas Shutoff Valve	2	51703	\$85
6	Low Gas Pressure Switch, (Local Supply)	1	50700	\$198
7	High Gas Pressure Switch, (Local Supply)	1	50701	\$198
8	3" Flexible Air Inlet Hose	7.5 ft	54444	\$8
9	4" Hose Clamp	4	54443	\$8
10	Socket Head Cap Screw M5-0.80 x 12 mm, (Local Hdwr Supply)	6	5415	–
11	Hex Head Cap Screw M5-0.80 x 12 mm, (Local Hdwr Supply)	2	5688	–
12	1/8" ID Reference Tube,	5 ft	1052	\$6
13	1/8" Hose Tee, (Local Hdwr Supply)	–	6159	–
14	1-1/4" Gas Inlet Header, PFC-850	1	54473	CF
14	1-1/4" Gas Inlet Header, PFC-1000	1	54474	CF
N/S	1-1/4" Ball Valve	1		CF
N/S	1-1/4" Gas Regulator, (When Used)	1	50647	\$304

PFC-1500 – Blower/Gas Train

	Description	Quantity Required	Stock Code	Trade Price
1	Combustion Air Blower - PFC-1500	2	54595	\$1,772
2	Gas Valve Inlet Flange 1" NPT	2	54601	CF
3	Gas Valve w/Shutter, Swirl Plate & Adapter	2	54598	CF
4	Gas Valve Nozzle 12 MM	2	54602	CF
5	1" NPT Gas Shutoff Valve	2	51703	\$85
6	Low Gas Pressure Switch, (Local Supply)	1	50700	\$198
7	High Gas Pressure Switch, (Local Supply)	1	50701	\$198
8	1-1/2" Gas Inlet Header, PFC1500	1	54608	–
9	1-1/2" Ball Valve	2	51705	\$191
10	1" NPT x 16" Flexible Gas Line	2	54439	\$117
11	1" NPT x 36" Flexible Gas Line	2	54612	\$120
12	1/8" BSP x 1/8" Tube Adapter	2	5766	\$6
13	1/8" x 1/8" x 1/4" Barb Tee, (Local Hdwr Supply)	1	6164	–
14	1/8" ID Reference Tube	2 ft	1052	\$6
N/S	1-1/2" Gas Regulator, (When Used)	1	50646	\$322
N/S	2" Gas Regulator, (When Used)	1	50648	\$644



PeerlessBoilers.com

Peerless® PUREFIRE® PFC

PFC-850, PFC-1000 & PFC-1500

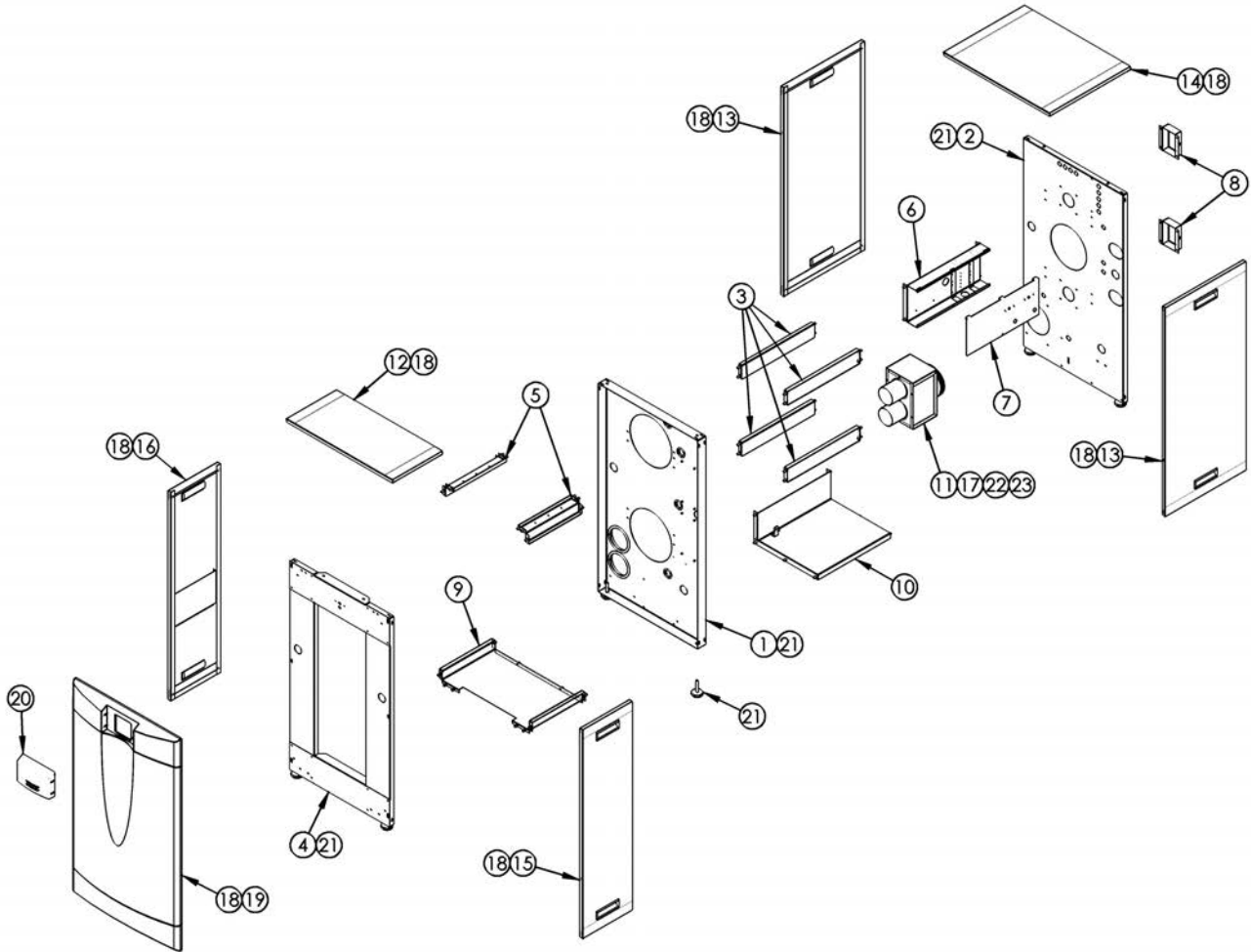
All repair parts orders - no minimum charges.

Please order with code number.

All prices quoted are in U.S. dollars.

All prices subject to change without notice.

All prices F.O.B. Bally, PA





PeerlessBoilers.com

Peerless® PUREFIRE® PFC

PFC-850, PFC-1000 & PFC-1500

All repair parts orders - no minimum charges.

Please order with code number.

All prices quoted are in U.S. dollars.

All prices subject to change without notice.

All prices F.O.B. Bally, PA

	Description	Quantity Required	Stock Code	Trade Price
1	Heat Exchanger Support Panel – Front	1	PF2016	\$667
		1	PF2037	CF
2	Heat Exchanger Support Panel – Rear – PF-850, PF-1000	1	PF2017	\$667
	Heat Exchanger Support Panel – Rear – PF-1500	1	PF2038	CF
3	Heat Exchanger Support Rails – PF-850	4	PF2018	\$49
	Heat Exchanger Support Rails – PF-1000	4	PF2018-1	\$53
	Heat Exchanger Support Rails – PF-1500	4	PF2018-2	CF
4	Blower Cabinet Frame Assembly – PF-850, PF-1000	1	PF2027	\$663
	Blower Cabinet Frame Assembly – PF-1500	1	PF2027-1	\$663
5	Blower Cabinet Support Rails – PF-850, PF-1000	2	PF2026	\$42
	Blower Cabinet Support Rails – PF-1500	2	pf2027	\$663
6	Electrical Terminal Enclosure – PF-850	1	PF2029	\$167
	Electrical Terminal Enclosure – PF-1000	1	PF2029-1	\$174
	Electrical Terminal Enclosure – PF-1500	1	PF2029-2	CF
7	Terminal Enclosure Cover – PF-850	1	PF2030	\$57
	Terminal Enclosure Cover – PF-1000	1	PF2030-1	\$65
	Terminal Enclosure Cover – PF-1500	1	PF2030-2	CF
8	Thermal Fuse Cover	2	PF2031	\$34
9	Blower Cabinet Floor Pan – PF-850, PF-1000	1	PF2033	\$183
	Blower Cabinet Floor Pan – PF-1500	1	PF2039	\$183
10	Condensate System Tray – PF-850	1	PF5027	\$205
	Condensate System Tray – PF-1000	1	PF5027-1	\$209
	Condensate System Tray – PF-1500	1	PF5027-2	\$209
11	Air Inlet Plenum Assembly - PF-850/1000	1	PF5044	\$119
	Air Inlet Plenum Base - PF-1500	1	PF5051	CF
11A	Air Inlet Plenum Cover - PF-1500	1	PF5052	CF
12	Blower Cabinet Top Panel - PF-850/1000	1	PF6069	\$231
	Blower Cabinet Top Panel - PF-1500	1	PF6069-1	CF
13	Side Heat Exchanger Access Panel - PF-850	4	PF6064	\$351
	Side Heat Exchanger Access Panel - PF-1000	4	PF6064-1	\$449
	Side Heat Exchanger Access Panel - PF-1500	4	PF6064-2	CF
14	Top Heat Exchanger Access Panel - PF-850	1	PF6066	\$216
	Top Heat Exchanger Access Panel - PF-1000	1	PF6066-1	\$219
	Top Heat Exchanger Access Panel - PF-1500	1	PF6066-2	CF
15	Blower Cabinet Right Side Panel - PF-850/1000	1	PF6067	\$233
	Blower Cabinet Right Side Panel - PF-1500	1	PF6067-2	\$254
16	Blower Cabinet Left Side Panel - PF-850/1000	1	PF6067-1	\$252
	Blower Cabinet Left Side Panel - PF-1500	1	PF6067-3	CF
17	Air Inlet Screen - PF-850/1000	1	54447	\$13
18	Ball Studs	38	5433	\$5
19	Front Cover Panel	2	54292	\$326
20	Control Lens	1	54127	\$86
21	Leveling Legs	1	5659	\$15
22	1/4" Rubber Grommet	1	6158	\$4



PeerlessBoilers.com

Peerless® PUREFIRE® PFC

PFC-850, PFC-1000 & PFC-1500

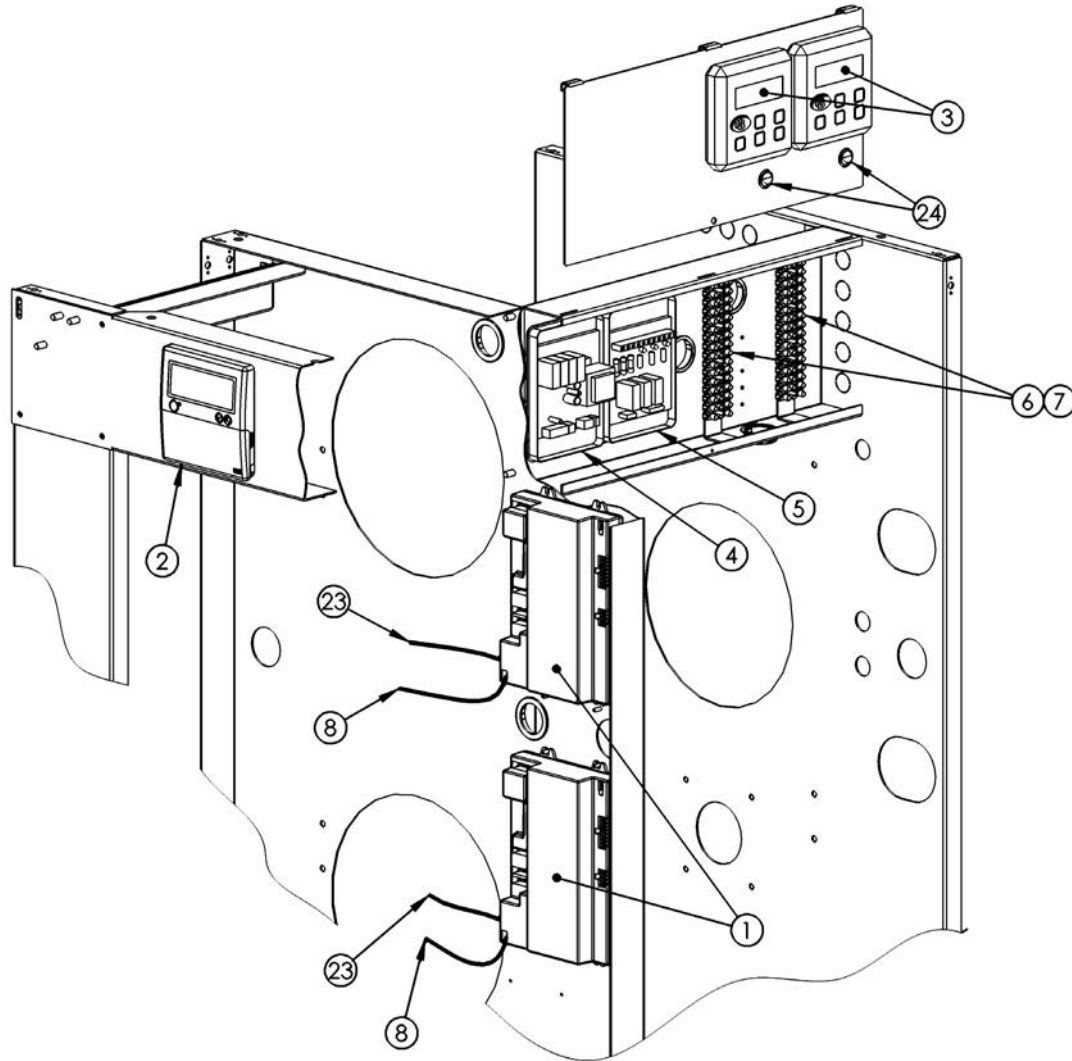
All repair parts orders - no minimum charges.

Please order with code number.

All prices quoted are in U.S. dollars.

All prices subject to change without notice.

All prices F.O.B. Bally, PA





PeerlessBoilers.com

Peerless® PUREFIRE® PFC

PFC-850, PFC-1000 & PFC-1500

All repair parts orders - no minimum charges.

Please order with code number.

All prices quoted are in U.S. dollars.

All prices subject to change without notice.

All prices F.O.B. Bally, PA

	Description	Quantity Required	Stock Code	Trade Price
1	Primary Burner Safety Control - PFC-850	2	54731	\$235
	Primary Burner Safety Control - PFC-1000	2	54732	\$235
	Primary Burner Safety Control - PFC-1500	2	54733	\$235
2	User Interface Pixel Display	1	54738	\$405
3	Installer Interface LED Display	2	54734	\$347
4	Adapter Interface Module 852IF	1	54737	\$335
5	Pump Relay Module 10 Amp 4 module Relay w/ 2 Fuses,	1	54556	\$235
N/S	10-Amp 125V 5x20mm Slow Blow Fuse, Radio Shack-270-152	-	-	-
6	Terminal Block - 10 Pole	2	5450	\$18
7	Terminal Block - 6 Pole	2	5547	\$13
8	Ignition Cable with 1KΩ Resistor	2	54298	\$23
9	Harness J5M Managing Control Sensors PFC-850/1000*	1	54740	\$155
	Harness J5M Managing Control Sensors PFC-1500*	1	54746	CF
10	Harness J5D Dependent Control Sensors PFC-850/1000*	1	54449	\$46
	Harness J5D Dependent Control Sensors PFC-1500*	1	54615	\$45
11	Harness J16M Managing Flapper/Limits PFC-850/1000*	1	54750	\$35
	Harness J16M Managing Flapper/Limits PFC-1500*	1	54745	\$70
12	Harness J16D Dependent Flapper/Limits*	1	54451	\$30
13	Harness J2M Managing Control/Blower Power PFC-850/1000*	1	54742	\$63
	Harness J2M Managing Control/Blower Power PFC-1500*	1	54744	CF
14	Harness J2D Dependent Control/Blower Power PFC-850/1000*	1	54453	\$43
	Harness J2D Dependent Control/Blower Power PFC-1500*	1	54618	\$42
15	Harness J13M Managing Gas Valve/Flame Sensor/Limit PFC-850/1000*	1	54454	\$137
	Harness J13M Managing Gas Valve/Flame Sensor/Limit PFC-1500*	1	54619	\$46
16	Harness J13D Dependent Gas Valve/Flame Sensor/Limit PFC-850/1000*	1	54455	\$124
	Harness J13D Dependent Gas Valve/Flame Sensor/Limit PFC-1500*	1	54620	\$46
17	Harness J7 General Circulator PFC-850/1000*	1	54456	\$28
	Harness J7 General Circulator PFC-1500*	1	54621	\$27
18	Harness J6M Managing CH/DHW Circulator*	2	54457	\$30
19	Harness Line Voltage Terminal Strip/Power Switch PFC-850/1000*	1	54587	\$154
	Harness Line Voltage Terminal Strip/Power Switch PFC-1500*	1	54622	\$159
20	Harness J9 Blower Control PFC-850/1000*	2	54459	\$33
	Harness J9 Blower Control PFC-1500*	2	54623	\$34
21	Harness Managing Thermal Fuse w/Conduit*	1	54460	\$30
22	Harness Dependent Thermal Fuse w/Conduit*	1	54461	\$42
23	Harness Ground	2	54465	\$11
24	Rocker Switch, (Local Hdwr Supply)	2	6049	\$18
25	Harness J2RM Terminal Strip/Relay Module PFC-850/100	1	54741	-
	Harness J2RM Terminal Strip/Relay Module PFC-1500	1	54743	-

* Not Shown



PeerlessBoilers.com

Peerless® PUREFIRE® PFC

PFC-850, PFC-1000 & PFC-1500

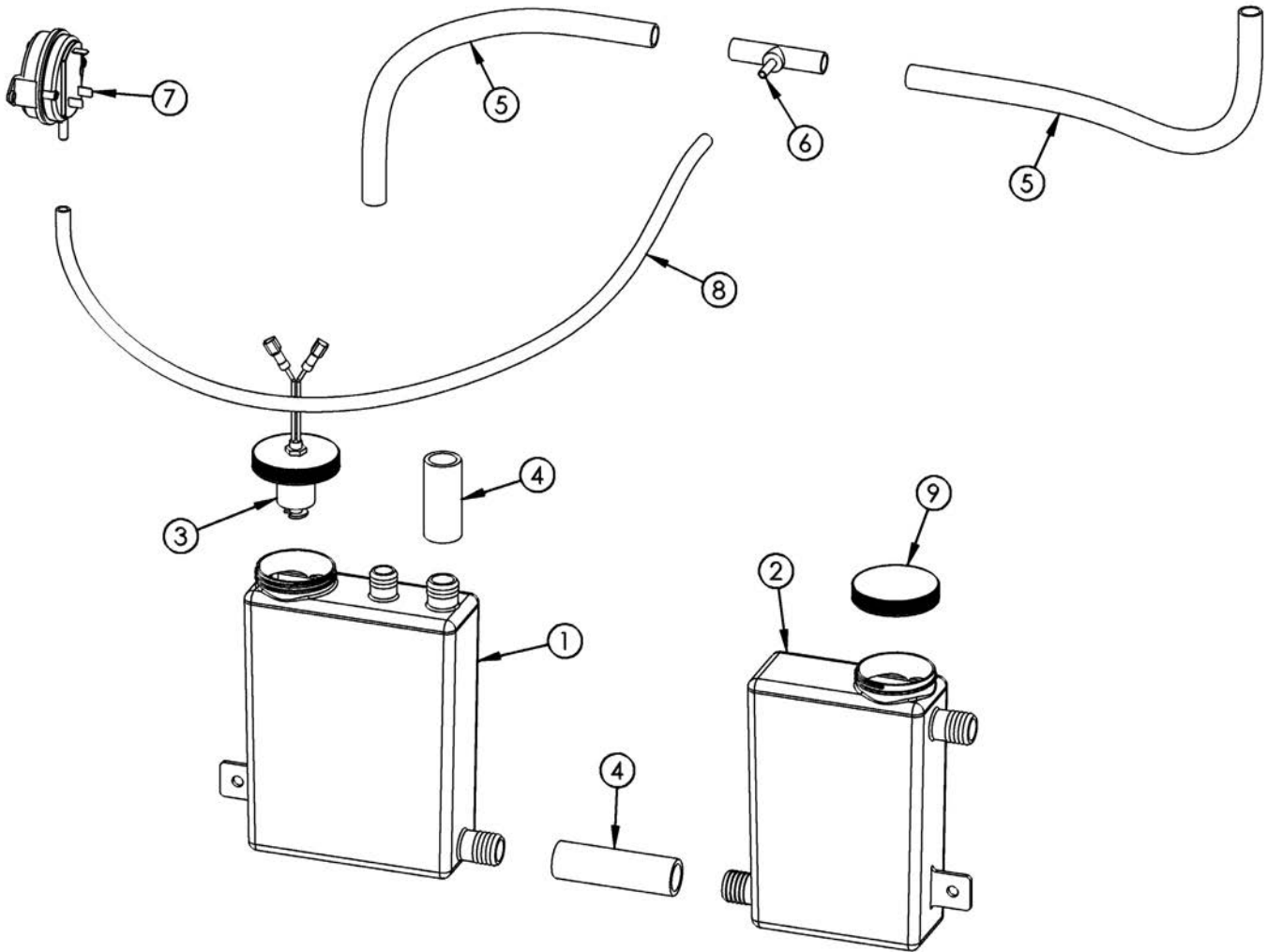
All repair parts orders - no minimum charges.

Please order with code number.

All prices quoted are in U.S. dollars.

All prices subject to change without notice.

All prices F.O.B. Bally, PA





Peerless® PUREFIRE® PFC

PFC-850, PFC-1000 & PFC-1500

All repair parts orders - no minimum charges.

Please order with code number.

All prices quoted are in U.S. dollars.

All prices subject to change without notice.

All prices F.O.B. Bally, PA

PFC-850 – PFC-1500 Condensate System

	Description	Quantity Required	Stock Code	Trade Price
1	Condensate Receiver Container	1	54120	\$94
2	Condensate Neutralizer Container	1	54121	\$94
3	Condensate Blocked Drain Switch	1	54137	\$69
4	1" OD x 3/4" ID PVC Condensate Hose	3 in	5417	\$4
5	5/8" OD x 1/2" ID PVC Condensate Hose	4 ft	5416	\$4
6	5/8" x 5/8" x 1/4" Hose Barb Tee	1	5665	\$5
7	Blocked Vent Pressure Switch	1	54208	\$19
8	1/4" ID PVC Tubing	2 ft	5563	\$6

PF-850 & PF-1500 Miscellaneous Part - Loose

	Description	Quantity Required	Stock Code	Trade Price
1	Relief Valve - PFC-850	1	51300	\$184
	Relief Valve - PFC-1000/1500	1	51301	\$324
2	Temperature/Pressure Gauge	1	51324	\$27
3	6" Stainless Steel Boot Tee with Test Port	1	5680	\$345
	7" Stainless Steel Boot Tee with Test Port	1	5747	\$403
4	6" Stainless Steel Drain Fitting	1	5681	\$165
	7" Stainless Steel Drain Fitting	1	5748	\$220
5	6" Stainless Steel x 6" PVC Adapter	1	5682	\$104
	7" Stainless Steel x 8" PVC Adapter	1	5749	\$366
6	6" Diameter Exhaust/Air Intake Screen	1	54446	\$11
	8" Diameter Exhaust/Air Intake Screen	1	54682	\$0
7	Stacking Spacer	6	1457	\$8
8	Outdoor Sensor	1	54112	\$55
9	DHW Sensor, Optional 12kOhm Tasseron TSK1 0BH	1	54157	\$65
10	Condensate Neutralizing Media (1 lb bag)	2	54159	\$27